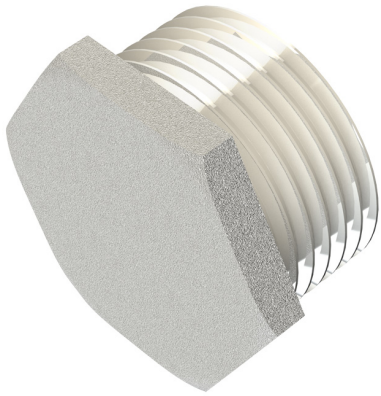


PRODUCT CODE: HSP1G
HEXAGON STOPPING PLUG



DESCRIPTION

20mm Hexagon Conduit Stopping Plug

FINISH

BZP

MATERIAL

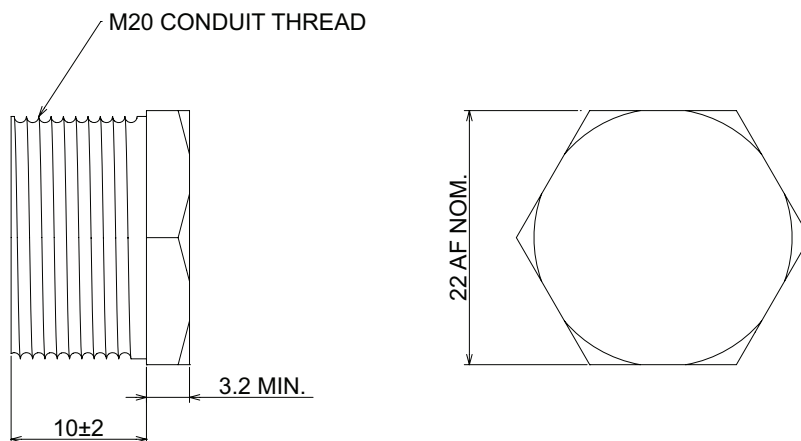
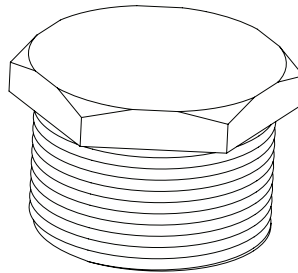
Steel

PACKAGING

Packed in qty 50

ADDITIONAL NOTES

Conforms to BS EN61386-1
Compliant to LU Standard 1-085 (for use on surface & sub-surface locations)



Values are nominal and with a general tolerance $\pm 5\%$ unless otherwise specified